

TECHNICAL DATA

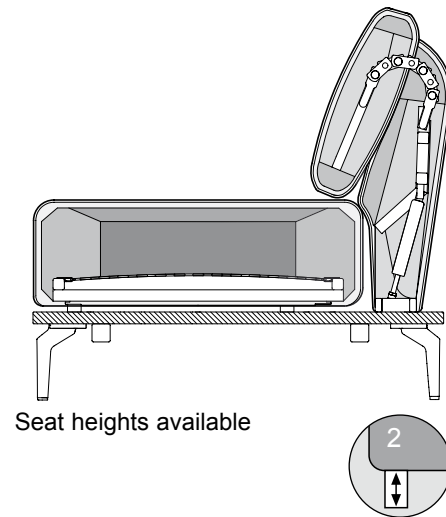
# ROLF BENZ 388 AURA

---



**ROLF  
BENZ**

- Seat with metal inner frame and integrated rotary function
- Nosag spring support
- Seat made from polyurethane foam, constructed in layers of different thicknesses and firmnesses, matched to one another, and covered with polyester fleece
- Backrest with metal inner frame and integrated adjustment function
- Back in polyurethane foam, built up in coordinated layers, varying in height, and firmness
- Cover quilted underneath with non-woven polyester
- Cast foot metal, optionally
  - Aluminium, polished
  - Smooth aluminium, powder-coated, matt
  - RAL 9017 Traffic black
  - RAL 7022 Umbra grey
- Shelves MDF veneered, clear varnish optionally:
  - Oak
  - Oak, black pigmented
  - American walnut
  - Real stone veneer slate
  - Leather covered
- Seat height options 41 cm or 44 cm



! Wave formation and depressions in the seat area are unavoidable, due to comfort and design reasons, even in high quality Rolf Benz upholstered furniture.  
All measurements are approximate.

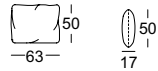
	Sofa	Sectional sofa*	Corner modular sofa element*	Closing chair with armrest*	Longchair*

**ROLF  
BENZ**

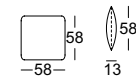
Low back  
cushion



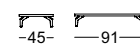
Back cushion



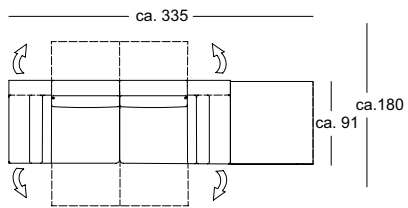
Back cushion  
mat



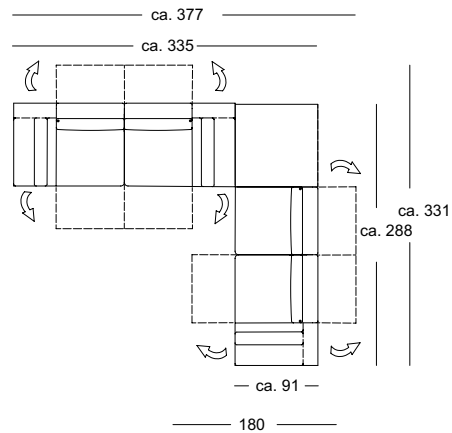
Shell



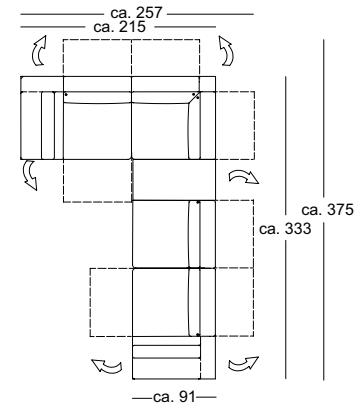
### Combination examples



L-SOB\_BS 388/244  
ABL 388/91x91



L-SOB\_BS 388/244  
ABL 388/91x91  
L-ASO-ES 388/197 ri.



L-E-ASO-ES 388/215 le.  
ABL 388/45x91  
L-ASO-ES 388/197 ri.

\*These elements are only shown in the left version. They are also available in the right version.

**ROLF  
BENZ**